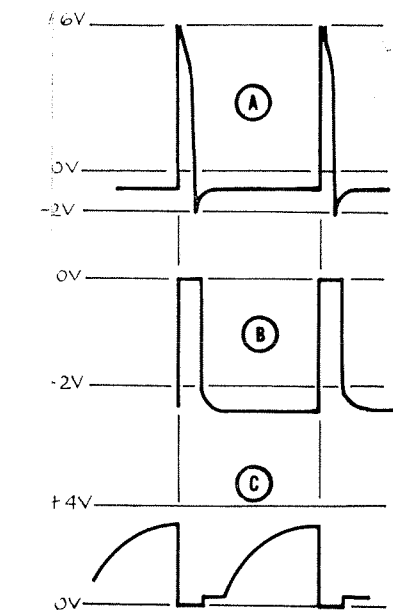
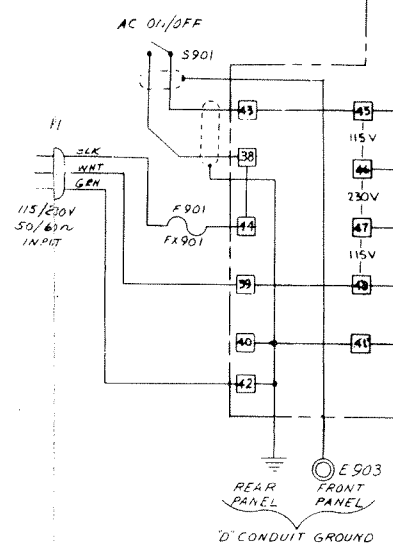
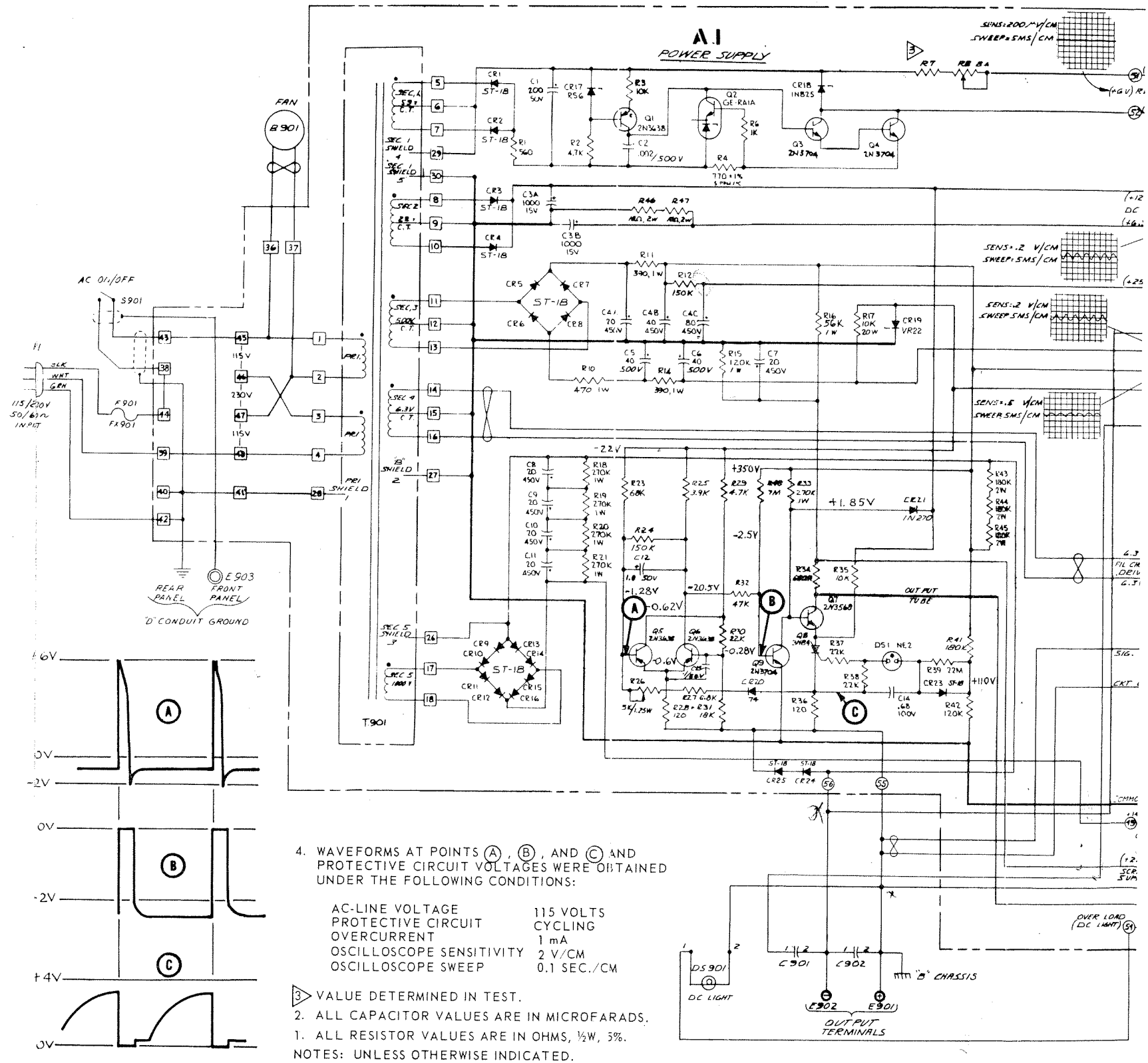


4. WAVEFORMS AT POINTS (A), (B), AND (C) AND PROTECTIVE CIRCUIT VOLTAGES WERE OBTAINED UNDER THE FOLLOWING CONDITIONS:

AC-LINE VOLTAGE	115 VOLTS
PROTECTIVE CIRCUIT OVERCURRENT	1 mA
OSCILLOSCOPE SENSITIVITY	2 V/CM
OSCILLOSCOPE SWEEP	0.1 SEC./CM

- 3. VALUE DETERMINED IN TEST.
 - 2. ALL CAPACITOR VALUES ARE IN MICROFARADS.
 - 1. ALL RESISTOR VALUES ARE IN OHMS, 1/2W, 5%.
- NOTES: UNLESS OTHERWISE INDICATED.

Figure 4-5. Schematic Diagram (Drawing No. J7819200A) Units Numbered 1-0086 and Higher



4. WAVEFORMS AT POINTS (A), (B), AND (C) AND PROTECTIVE CIRCUIT VOLTAGES WERE OBTAINED UNDER THE FOLLOWING CONDITIONS:

AC-LINE VOLTAGE	115 VOLTS
PROTECTIVE CIRCUIT	CYCLING
OVERCURRENT	1 mA
OSCILLOSCOPE SENSITIVITY	2 V/CM
OSCILLOSCOPE SWEEP	0.1 SEC./CM

3 VALUE DETERMINED IN TEST.

2. ALL CAPACITOR VALUES ARE IN MICROFARADS.

1. ALL RESISTOR VALUES ARE IN OHMS, 1/2W, 5%.

NOTES: UNLESS OTHERWISE INDICATED.

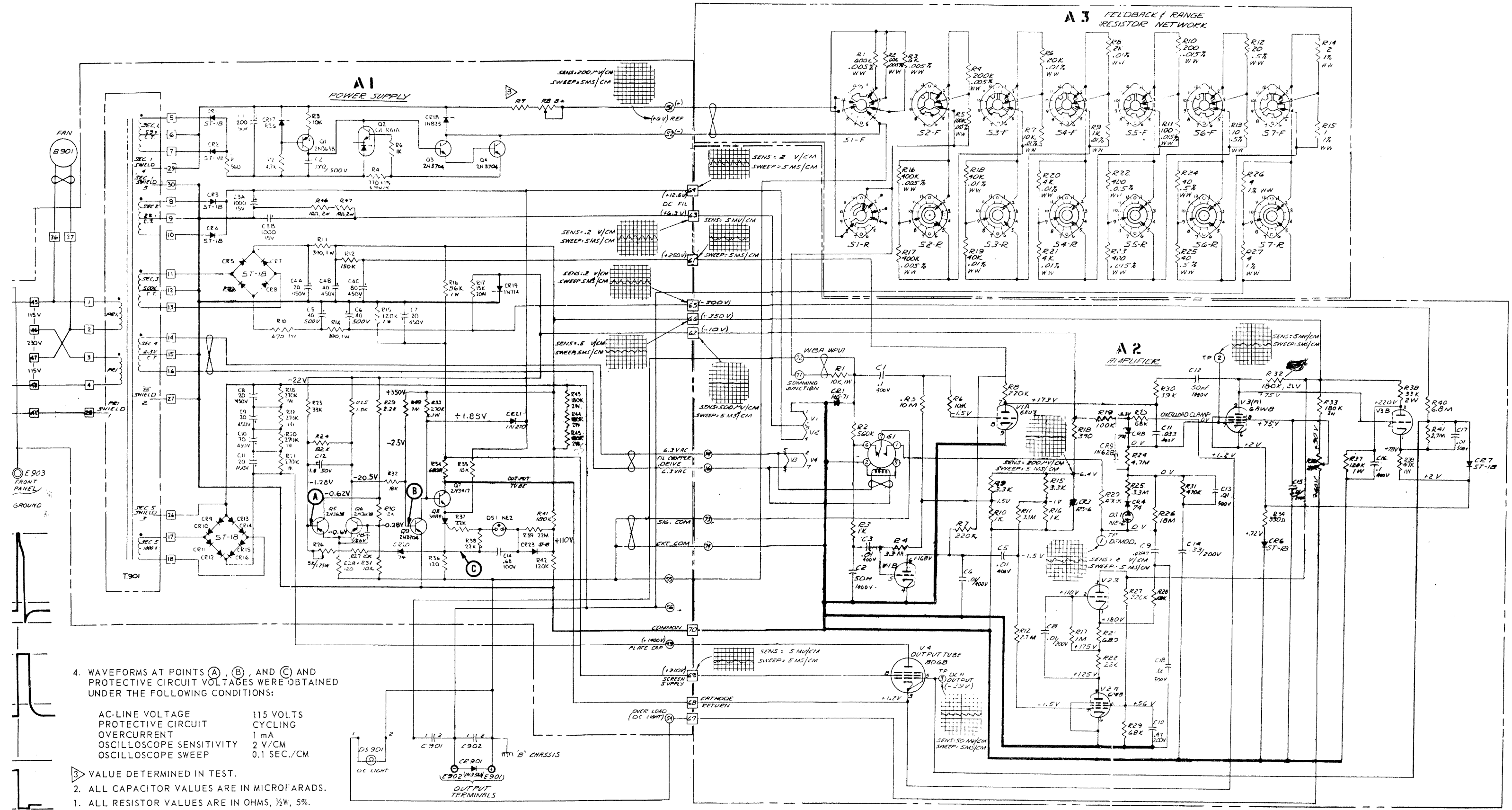
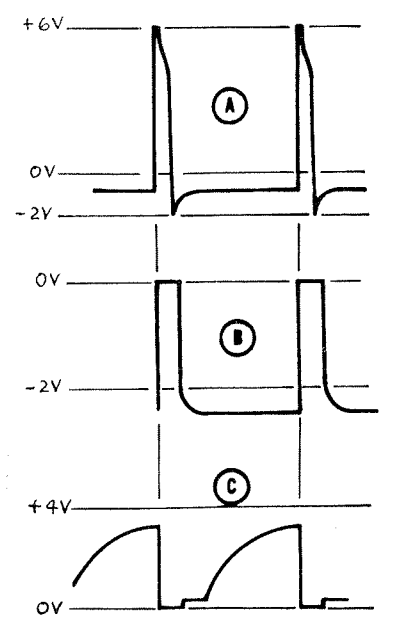
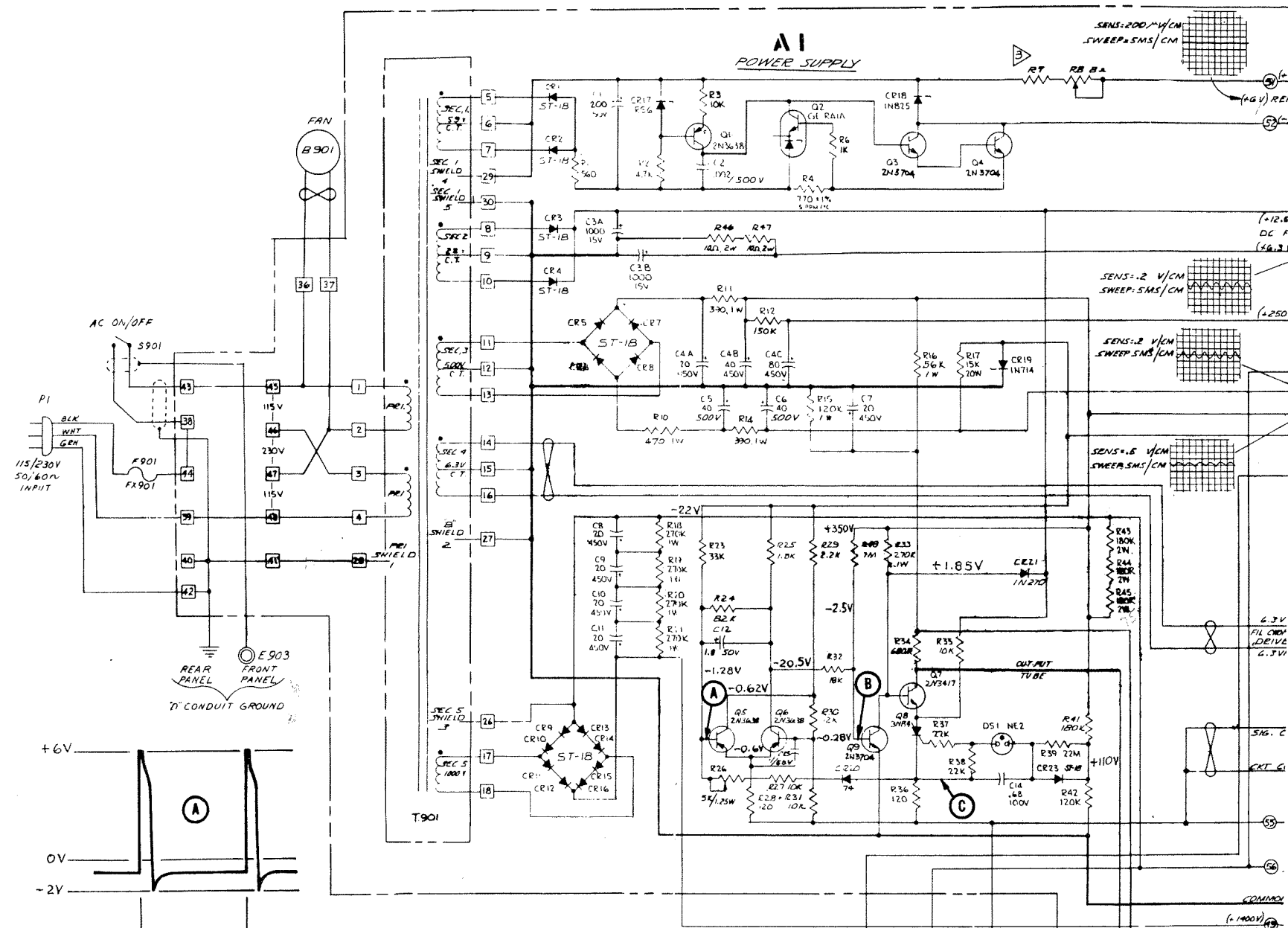


Figure 4-4. Schematic Diagram (Drawing No. J7819100B) Units Numbered 1-0001 through 1-0085



4. WAVEFORMS AT POINTS (A), (B), AND (C) AND PROTECTIVE CIRCUIT VOLTAGES WERE OBTAINED UNDER THE FOLLOWING CONDITIONS:

AC-LINE VOLTAGE	115 VOLTS
PROTECTIVE CIRCUIT	CYCLING
OVERCURRENT	1 mA
OSCILLOSCOPE SENSITIVITY	2 V/CM
OSCILLOSCOPE SWEEP	0.1 SEC./CM

- 3. VALUE DETERMINED IN TEST.
 - 2. ALL CAPACITOR VALUES ARE IN MICROFARADS.
 - 1. ALL RESISTOR VALUES ARE IN OHMS, 1/2W, 5%.
- NOTES: UNLESS OTHERWISE INDICATED.

